

Bed

Bed is an expandable bed frame that can fit any mattress from 90 cm up to 180 cm wide.

Bed is available in 90 cm only or fully expandable. The expander set is available to modify a 90 cm bed into a fully expandable version.

These instructions cover:

Bed 90 cm
Bed Expander Set
Bed 90 cm – 180 cm
Bed Side Table
Bed Slats Ends Caps
Bed Slats

Product description

The product at hand is a bed for domestic use.

If you have purchased the expandable version the bed can be made to fit mattresses between 90 cm and 180 cm wide.

The 90 cm bed is only made to fit 90 cm wide mattresses. If you wish you can later add an expander set and make the bed fit up to 180 cm wide mattresses also.

In both versions the bed is made for mattresses with a length from 180 cm to 200 cm.

The bed is a piece of indoor furniture and should only be used as intended.

The durability and safety of this bed has been tested by the Danish Technological Institute according to the European standard for beds EN1725:1998 and has passed this test.

The bed comes without bed slats. You can buy slats for the bed through Moebe or add your own. We recommend only to use tested and safe bed slats bought through a trusted manufacturer.

Recycling

The bed is made of 100 pct. steel. All painted parts can be recycled as normal steel. All non painted parts are made of stainless steel and can be recycled as such.

Assembly

Please see assembly instruction packed in the box for your bed or find them at www.moebe.dk

Warranty and provision of spare parts

5 Year Warranty

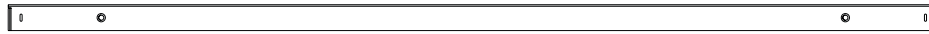
We believe in what we do and in the quality of our products. That's why we give you a 5 years warranty. This guarantee covers any functional, material or manufacturing defect on any product you buy from us for private use.

Spare Parts

All our products are component based and have been designed this way to make repairs simple. You can find and purchase all spare parts for your product on www.moebe.dk for a period of at least 5 years after your purchase. It should always be cheaper and easier to repair, than buying new.

Bed 90 cm

Box 1



A x2

Box 2



B x2



F2 x4

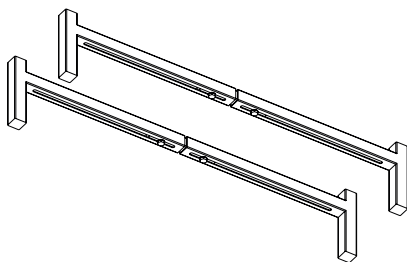


G1 x4

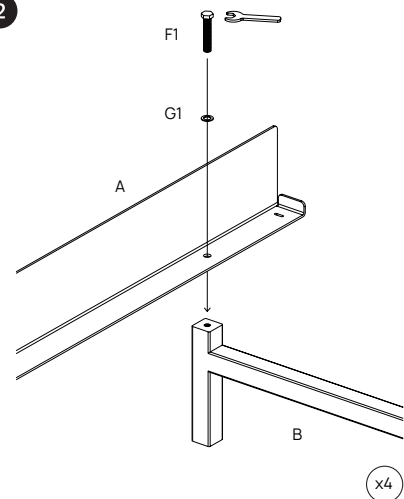


J x4

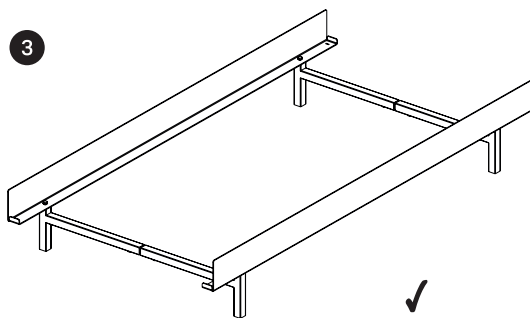
1



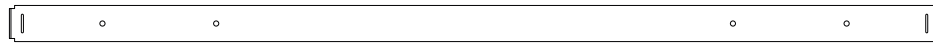
2



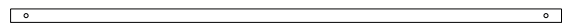
3



Bed Expander Set



C



Ex2



F1 x2



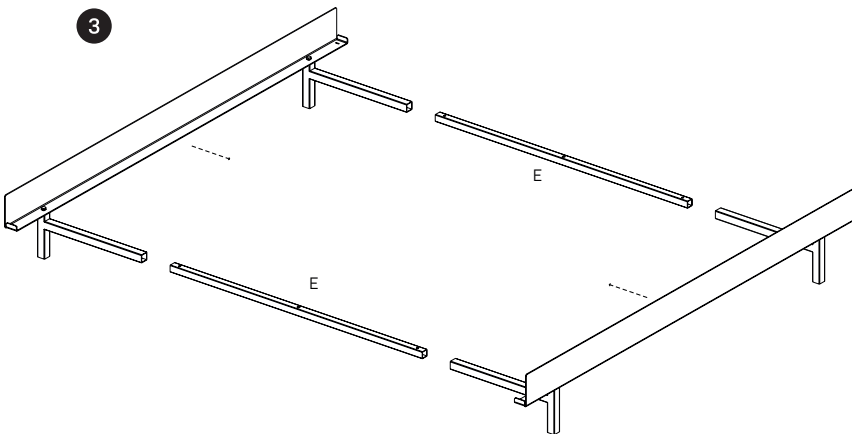
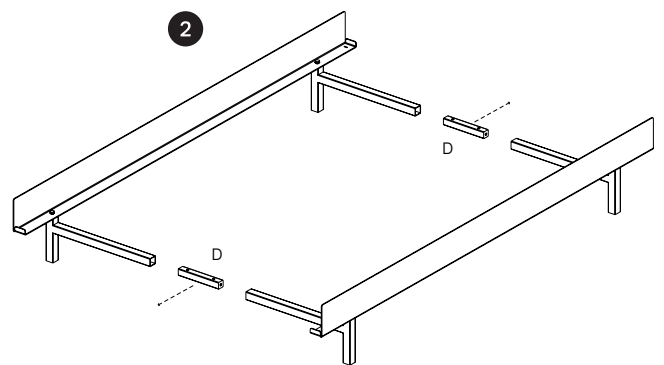
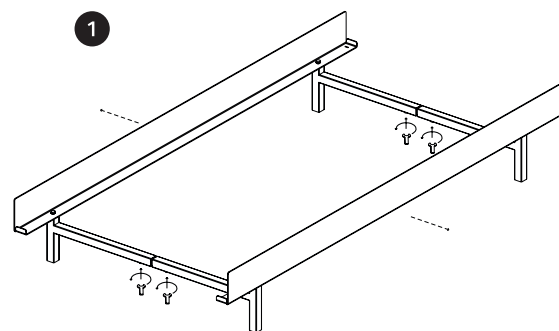
F2 x2

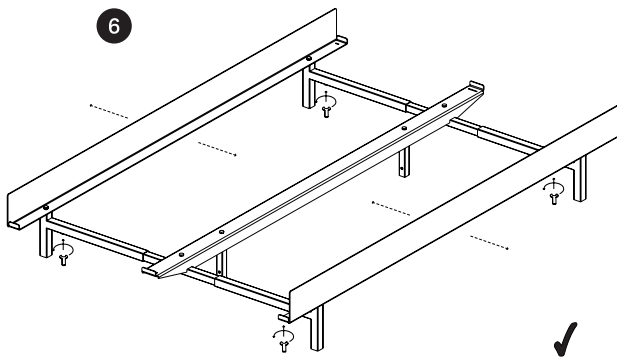
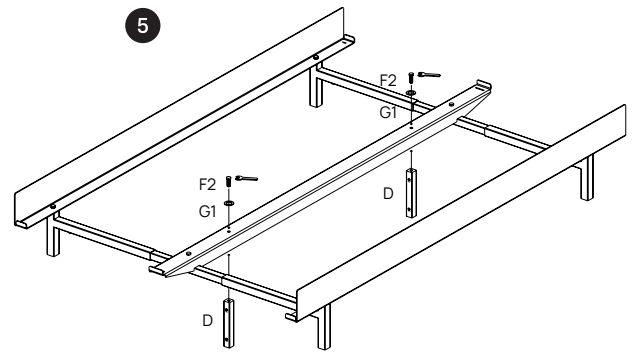
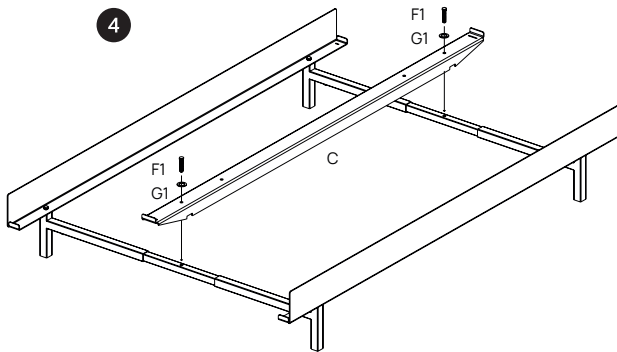


G1 x4



J x4





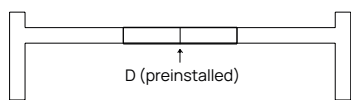
Bed 90 cm - 180 cm

Box 1



A x2

Box 2



B x2



F2 x4



G1 x4

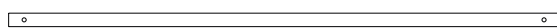


J x4

Box 3



C x1



E x2



F1 x2



F2 x2

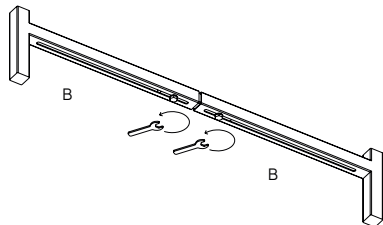


G1 x4

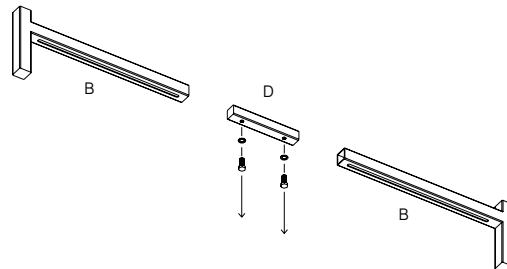


J x4

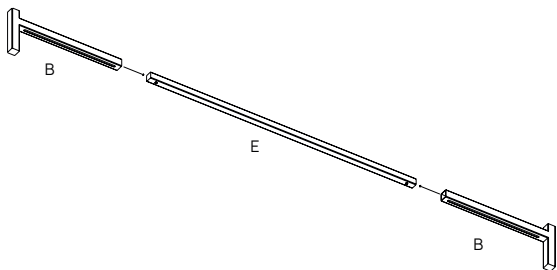
1



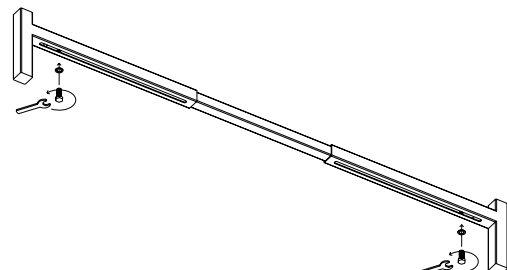
2

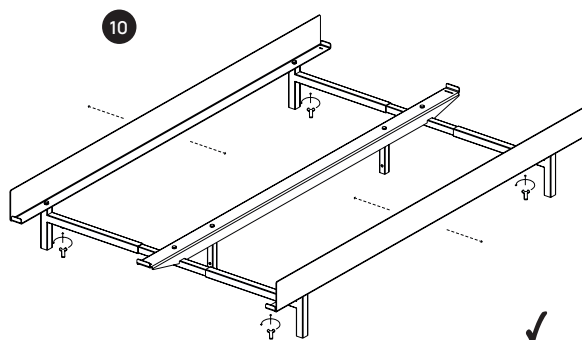
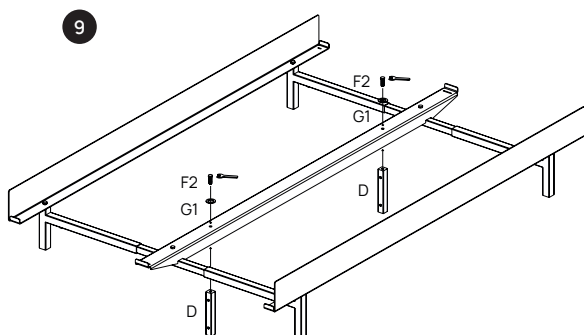
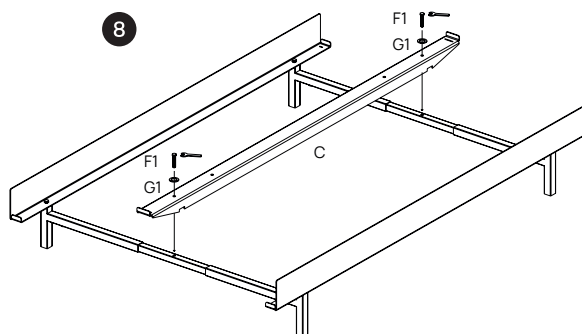
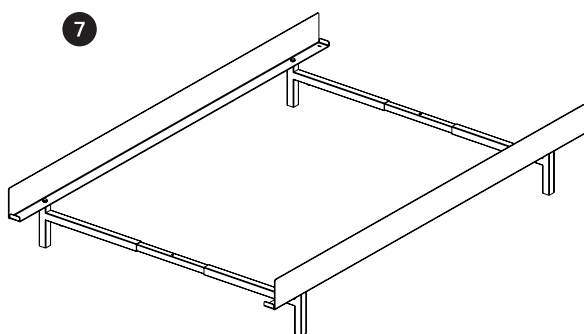
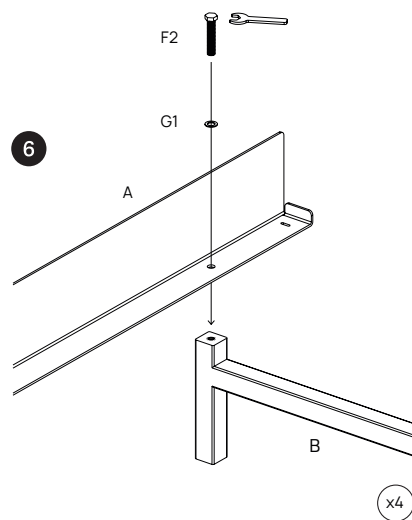
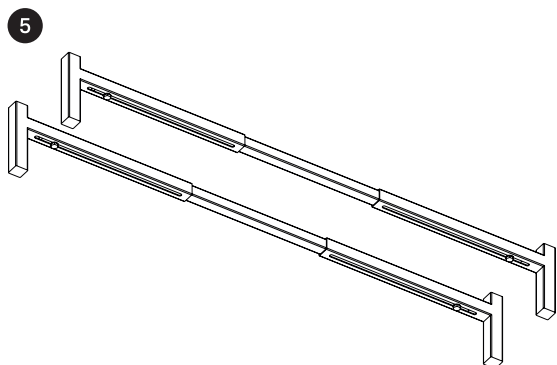


3

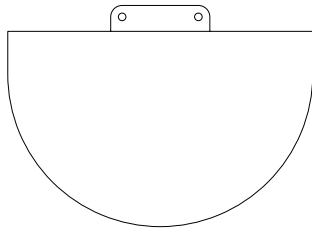


4





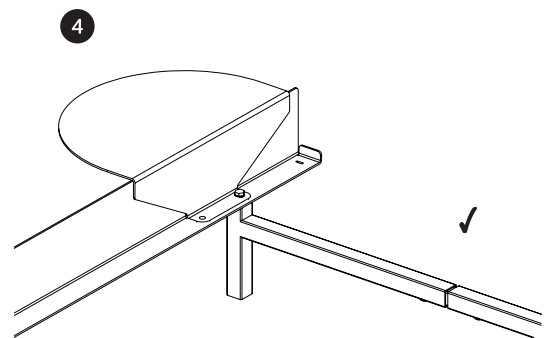
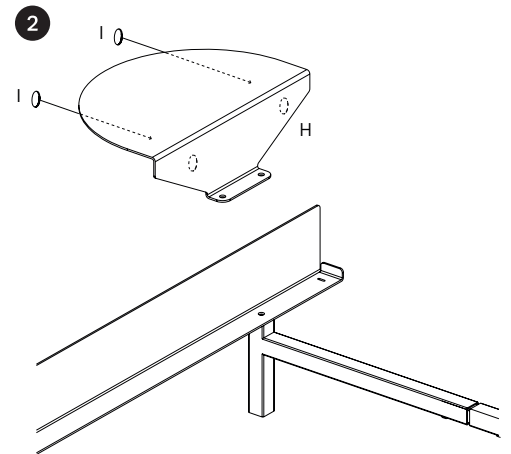
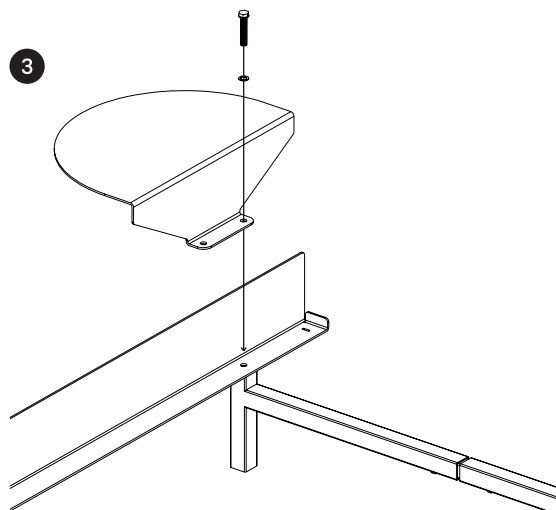
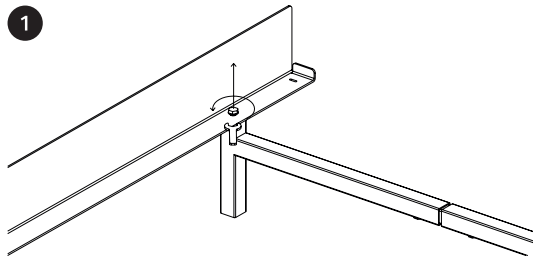
Bed Side Table



Hx1



1x2

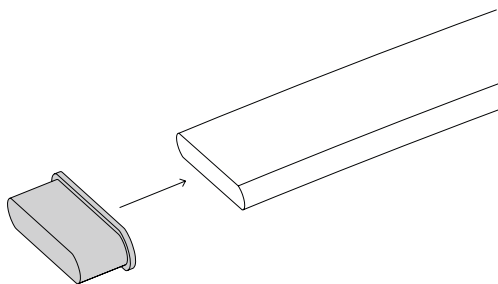


Bed Slats End Caps



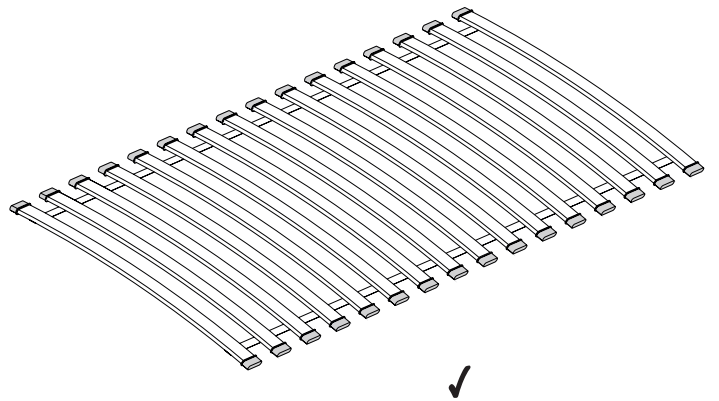
K

1

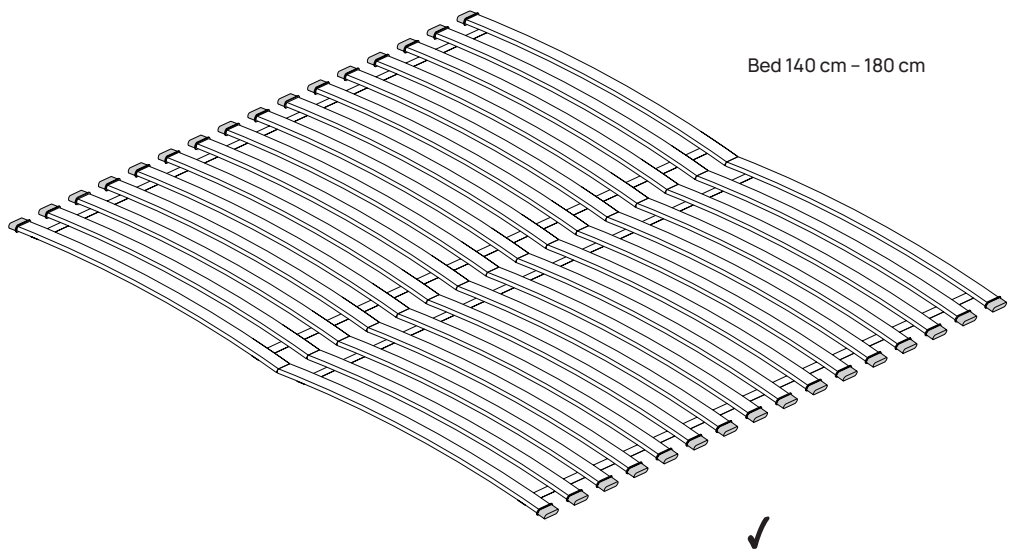


2

Bed 90 cm



Bed 140 cm - 180 cm



Bed Slats

